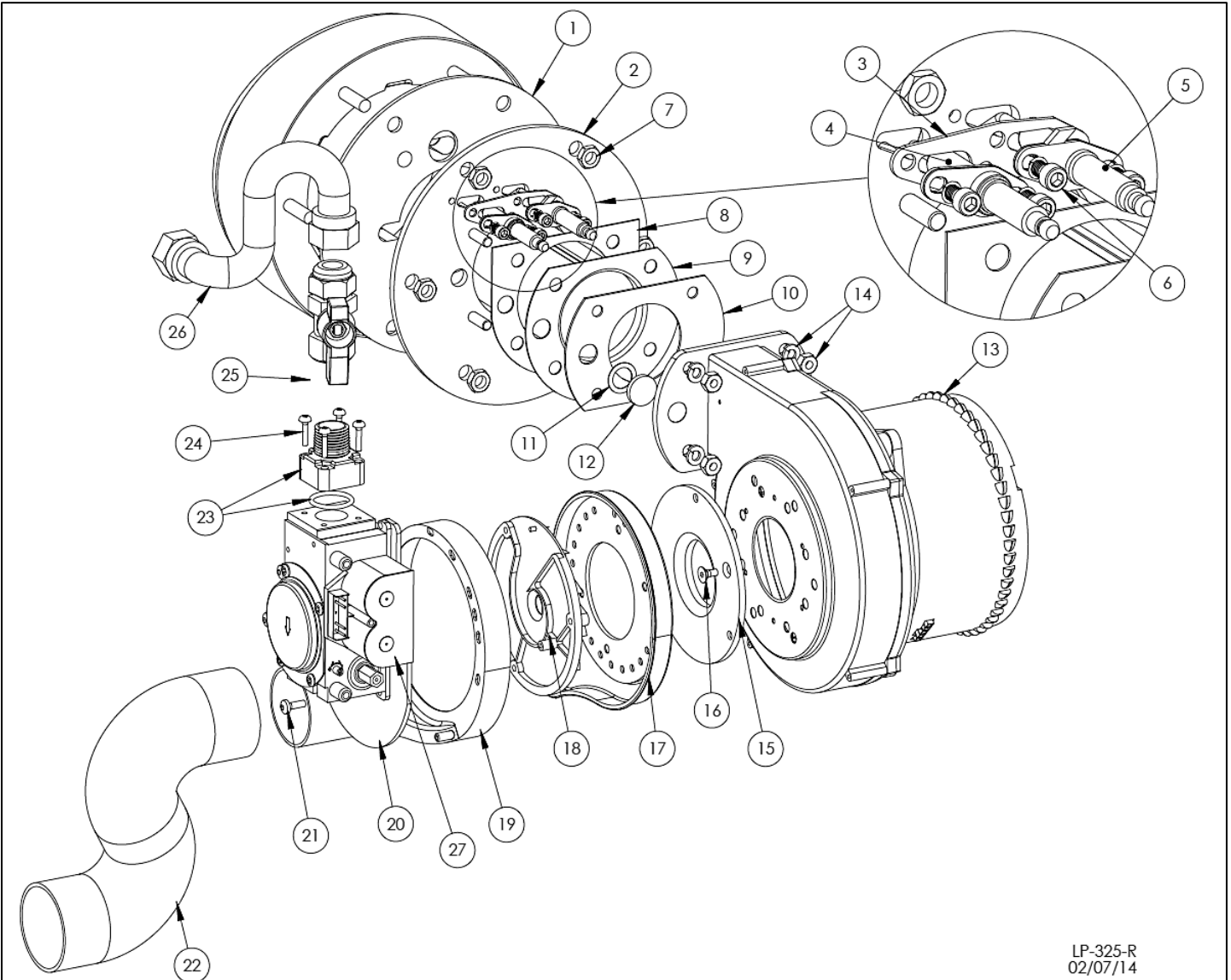


Item #	Description	Replacement Part #
1	LOW WATER CUT-OFF SENSOR	7000P-852-1
2	COMBINATION SUPPLY/HIGH TEMP SENSOR	7450P-192
3	CUSTOMER CONNECTION BOARD	7350P-070
4	THERMISTOR	7100P-005
5	3/4" NPT DRAIN VALVE	7100P-278
6	3/4" NPT - 30 PSI RELIEF VALVE	7100P-279
7	CONTROL DISPLAY	7350P-009
8	CONTROL BOARD	7450P-122
9	120 VOLT WIRE HARNESS (LOCATION SHOWN)	7100P-343
10	BLOCKED VENT PRESSURE SWITCH	7250P-150
11	LOW VOLTAGE WIRING HARNESS (LOCATION SHOWN)	7100P-280
12	S.S. HOSE BARB	7250P-154
13	CONDENSATE HOSE	7100P-043
14	HOSE CLAMP - CONDENSATE HOSE	7250P-215
15	HIGH FLUE TEMP SWITCH	VS210
16	2" COUPLING (w/NUT) - AIR LINET (100/130K BTU)	7100P-114
17	3" COUPLING (w/NUT) AIR INLET (160/199K BTU)	7100P-103
17	SENSOR WIRE HARNESS KIT (NOT SHOWN)	7100P-282
18	AIR VENT	7450P-197

Figure 31 – Pioneer and Versa-Flame



LP-325-R
02/07/14

Item #	Description	Replacement Part #
1	GASKET - MOUNTING PLATE	7100P-139
2	MOUNTING PLATE	7100P-007
3	GASKET - PROBES	7100P-155
4	FLAME RECTIFICATION PROBE	7100P-082
5	IGNITOR ELECTRODE	7100P-124
6	10-32 X 3/8 SCREWS/#10 LOCK WASHERS	N/A
7	NUTS - 5/16-18	N/A
8	GASKET - BURNER MOUNTING FLANGE	7100P-152
9	BURNER - 100-130K BTU	7100P-316
	BURNER - 160-199K BTU	7100P-317
10	GASKET - BURNER OUTLET	7000P-361
11	GASKET - SIGHT GLASS	7100P-105
12	SIGHT GLASS	G2000
13	COMBUSTION BLOWER (w/GASKET, SIGHT GLASS)	7100P-015
	COMBUSTION BLOWER (w/GASKET, SIGHT GLASS) 199K BTU ONLY	7100P-350

Item #	Description	Replacement Part #
14	1/4-20 BRASS NUTS/1/4 LOCK WASHERS	7100P-268
15	ADAPTER PLATE	7250P-644
16	FLAT HEAD SCREW - ADAPTER PLATE	7100P-045
17	AIR INTAKE ADAPTER - BLOWER SIDE	7500P-185
18	SWIRL PLATE - BLACK (100/130K BTU)	7100P-042
	SWIRL PLATE - WHITE (160/199K BTU)	7500P-092
19	AIR INTAKE ADAPTER - VALVE SIDE	7500P-184
20	GAS VALVE (100/130K BTU)	7000P-862
	GAS VALVE (160/199K BTU)	7000P-863
21	SCREWS - GAS VALVE	7100P-046
22	TUBE - AIR INLET	7500P-189
23	GAS VALVE ADAPTER (w/O-RING)	7250P-454
24	SCREWS - M4 X 20MM - GAS VALVE ADAPTER	7250P-717
25	GAS SHUT-OFF VALVE	7250P-140
26	1/2" FLARE X 1/2" NPT FLEX HOSE	7100P-140
27	24VAC GAS VALVE COIL ONLY - GREY	7350P-624

Figure 32 – Pioneer and Versa-Flame

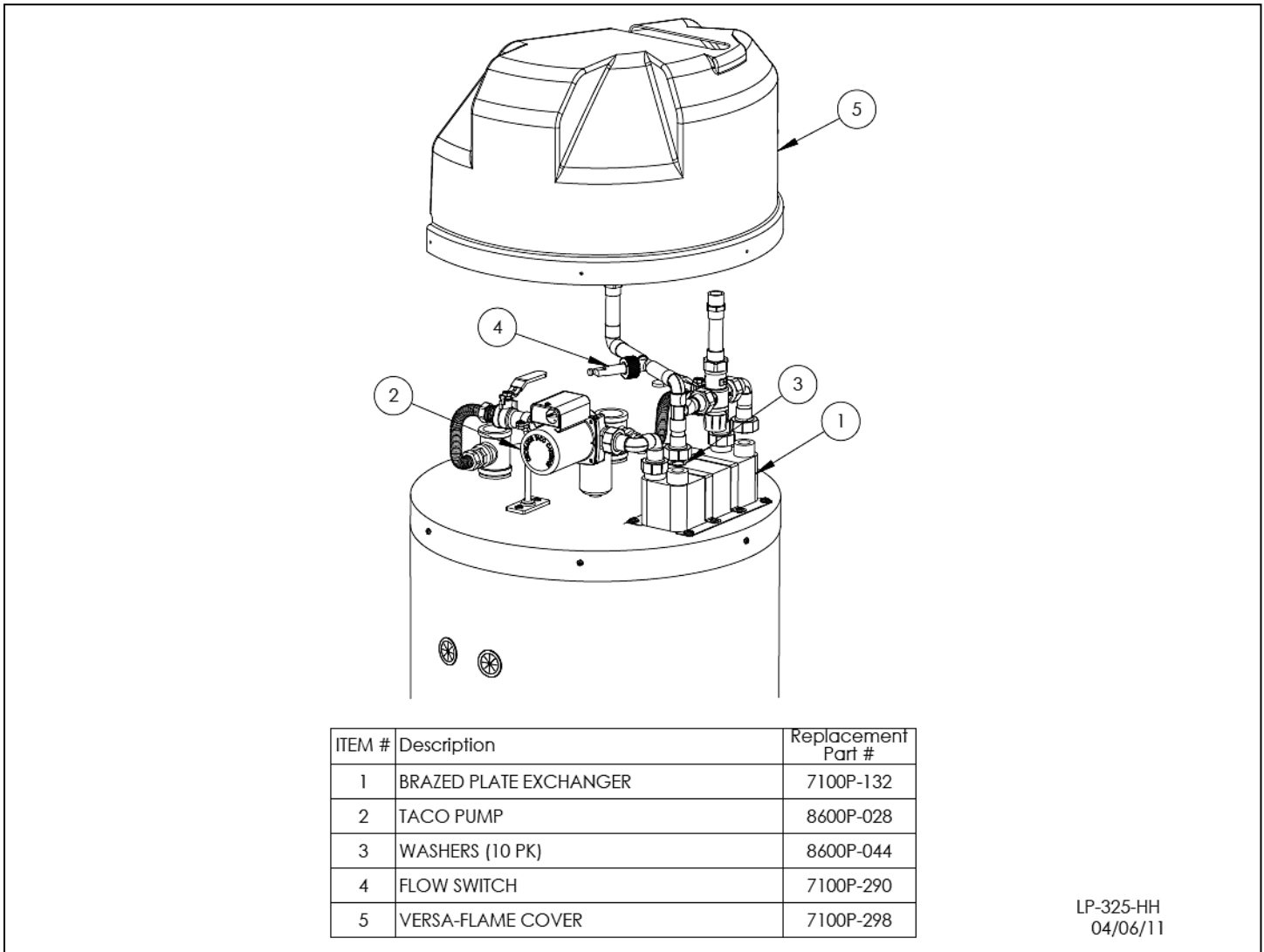


Figure 33 – DHW Module - *Versa-Flame ONLY

PART 13 – MAINTENANCE

CAUTION

In unusually dirty or dusty conditions, care must be taken to keep appliance cabinet door in place at all times. Failure to do so VOIDS WARRANTY!

WARNING

Allowing the appliance to operate with a dirty combustion chamber will hurt operation. Failure to clean the heat exchanger as needed by the installation location could result in appliance failure, property damage, personal injury, or death. Such product failures ARE NOT covered under warranty.

The appliance requires minimal periodic maintenance under normal conditions. However, in unusually dirty or dusty conditions, periodic vacuuming of the cover to maintain visibility of the display and indicators is recommended.

Periodic maintenance should be performed once a year by a qualified service technician to assure that all the equipment is operating safely and efficiently. The owner should make necessary arrangements with a qualified heating contractor for periodic maintenance of the appliance. Installer must also inform the owner that the lack of proper care and maintenance of the appliance may result in a hazardous condition.