

Figure 61 – Cabinet Replacement Parts – 80 – 140W Models

NUMBER	DESCRIPTION	PART NUMBER	NUMBER	DESCRIPTION	PART NUMBER
1	Cabinet Assembly	7855P-330	8	Air Vent Grommet	7855P-339
2	Top Wall Mount Bracket	7850P-068	9	Control Board Bracket	7855P-340
3	Bottom Wall Mount Bracket	7850P-092	10	Air Pressure Switch	7855P-262
4	Condensate Trap Cup	7855P-331	11	Ignition Transformer	7855P-007
5	Exhaust Duct (Assembly)	7855P-002	12	Display Panel Bracket	7855P-341
5-1	Exhaust / Intake Duct Clamps	7855P-332	13	Terminal Blocks Bracket	7855P-342
5-2	Exhaust / Intake Gaskets	7850P-210	14	Control Board	80W 7855P-308 100W 7855P-309 120W 7855P-310 140W 7855P-311
5-3	Exhaust Duct	7855P-333	15	Display Panel	7855P-344
5-4	Combustion Analyzer Port Plug O-Ring	7855P-334	16	Manual Power Switch	7855P-014
5-5	Combustion Analyzer Port Plug	7855P-335	17	Condensate Block APS	7855P-017
5-6	Intake and Exhaust Adapter O-Ring	7855P-256	18	Terminal Block	7855P-345
5-7	Exhaust Duct Inner Adapter	7855P-004	19	Transformer	7855P-346
5-8	Exhaust Adapter O-Ring	7855P-254	20	Cabinet Front Cover	7855P-347
6	Air Intake Assembly	7855P-003	21	Display Panel Cover	7850P-023
6-1	Air Intake Cap	7855P-337	22	Wire Gland	7855P-348
6-2	Air Intake Inner Adapter	7855P-338	23	CH Pressure Gauge	7855P-222
7	Air Vent	7855P-063			

Table 35 – Cabinet Replacement Parts – 80 – 140W Models

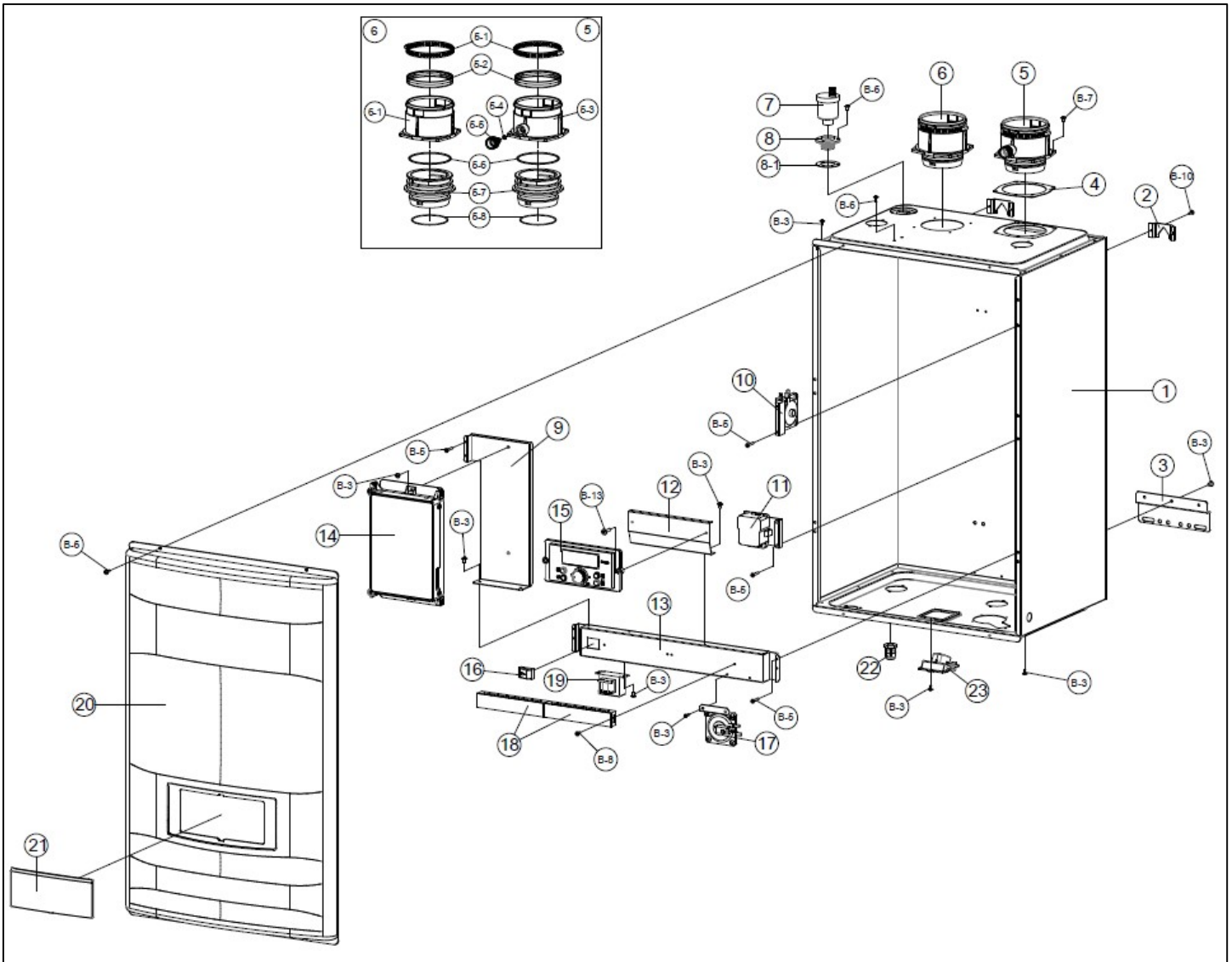


Figure 62 – Cabinet Replacement Parts – 175 – 199W Models

NUMBER	DESCRIPTION	PART NUMBER	NUMBER	DESCRIPTION	PART NUMBER
1	Cabinet Assembly	7855P-410	8	Air Vent Adapter	7855P-453
2	Top Wall Mount Bracket	7850P-068	8-1	Air Vent Grommet	7855P-339
3	Bottom Wall Mount Bracket	7850P-092	9	Control Board Bracket	7855P-412
4	Exhaust Adapter Sealing Gasket	7850P-041	10	Air Pressure Switch	7855P-262
5	Exhaust Duct (Assembly)	7855P-002	11	Ignition Transformer	7855P-007
5-1	Exhaust / Intake Duct Clamps	7855P-332	12	Display Panel Bracket	7855P-413
5-2	Exhaust / Intake Gaskets	7850P-210	13	Terminal Blocks Bracket	7855P-434
5-3	Exhaust Duct	7855P-333	14	Control Board	175W 7855P-404 199W 7855P-405
5-4	Combustion Analyzer Port Plug O-Ring	7855P-334	15	Display Panel	7855P-344
5-5	Combustion Analyzer Port Plug	7855P-335	16	Manual Power Switch	7855P-014
5-6	Intake and Exhaust Adapter O-Ring	7855P-256	17	Condensate Block APS	7855P-017
5-7	Exhaust Duct Inner Adapter	7855P-004	18	Terminal Block	7855P-345
5-8	Exhaust Adapter O-Ring	7855P-254	19	Transformer	7855P-346
6	Air Intake Assembly	7855P-411	20	Cabinet Front Cover	7855P-414
6-1	Air Intake Cap	7855P-337	21	Display Panel Cover	7850P-023
6-2	Air Intake Inner Adapter	7855P-004	22	Wire Gland	7855P-348
7	Air Vent	7855P-063	23	CH Pressure Gauge	7855P-222

Table 36 – Cabinet Replacement Parts – 175 – 199W Models

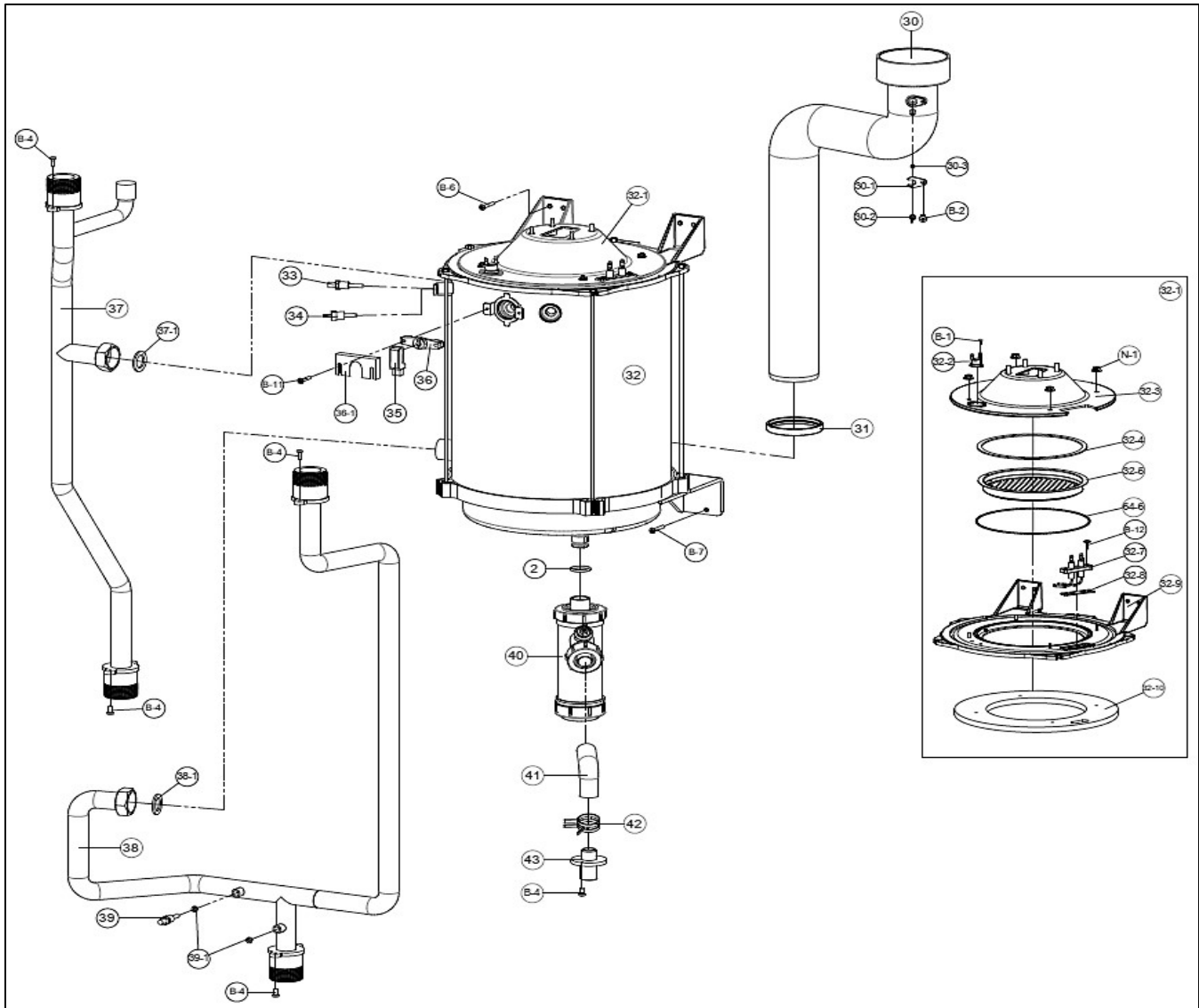


Figure 63 – Heat Exchanger Replacement Parts – 80W – 140W Models

NUMBER	DESCRIPTION	PART NUMBER	NUMBER	DESCRIPTION	PART NUMBER
30	Exhaust Pipe Assembly	7855P-237	33	CH Supply Temperature Sensor	7855P-030
30-1	Exhaust Temperature Sensor Clip	7855P-349	34	Water Level Detection Sensor (Low Water Cut-Off)	7855P-029
30-2	Exhaust Temperature Sensor	7855P-092	35	Flame Sensor	7855P-031
30-3	Exhaust Temperature Sensor O-Ring		36	Flame Sensor Bracket	7855P-356
31	Exhaust Pipe Gasket	7855P-351	36-1	Flame Sensor Cover	7855P-357
32	Heat Exchanger Assembly	80W / 100W	37	CH Supply Pipe	80W / 100W
		120W / 140W			120W / 140W
32-1	Burner Body Assembly	7855P-354	37-1	CH Supply Pipe Gasket	7855P-074
32-2	Burner Overheat Sensor	7855P-066	38	CH Return Pipe	7855P-361
32-3	Burner Body	7855P-067	38-1	CH Return Pipe Gasket	7855P-074
32-4	Burner Gasket	7855P-266	39	CH Return Sensor	7855P-097
32-5	Ceramic Fiber Burner	7855P-069	39-1	CH Return Sensor Gasket	7855P-364
32-6	Burner Plate O-Ring	7855P-249	40	Condensate Trap Assembly	7855P-053
32-7	Ignition Rod	7855P-068	41	Condensate Trap Drain Hose	7855P-255
32-8	Igniter Gasket	7855P-252	42	Condensate Trap Clamp	7855P-366
32-9	Heat Exchanger Top	7855P-355	43	Condensate Outlet Adapter	7855P-224
32-10	Burner Refractory	7855P-253			

Table 37 – Heat Exchanger Replacement Parts – 80W – 140W Models

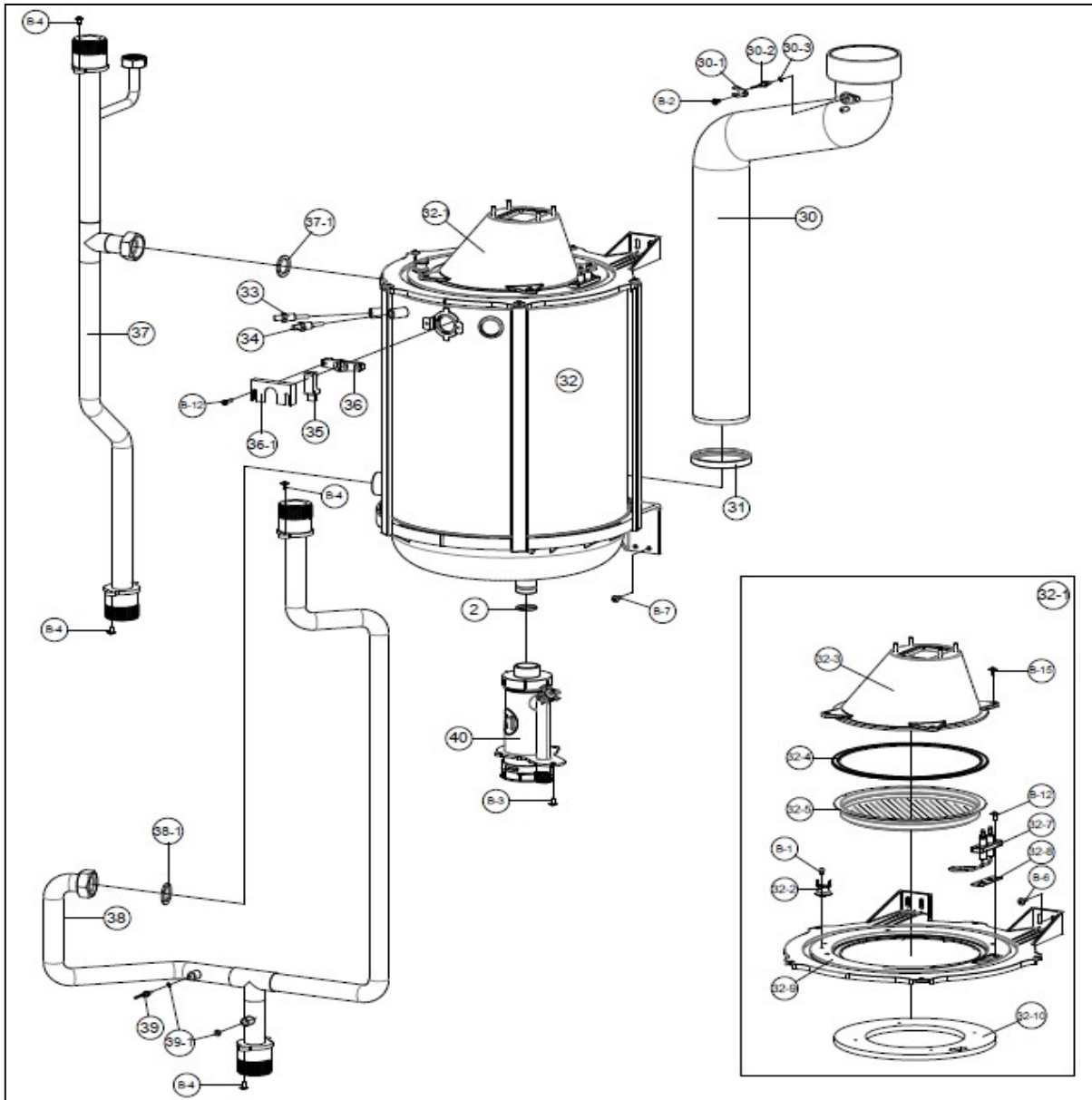


Figure 64 – Heat Exchanger Replacement Parts – 175W – 199W Models

NUMBER	DESCRIPTION	PART NUMBER	NUMBER	DESCRIPTION	PART NUMBER
30	Exhaust Pipe Assembly	7855P-415	32-9	Heat Exchanger Top	7855P-619
30-1	Exhaust Temperature Sensor Clip	7855P-349	32-10	Burner Refractory	7855P-612
30-2	Exhaust Temperature Sensor	7855P-092	33	CH Supply Temperature Sensor	7855P-030
30-3	Exhaust Temperature Sensor O-Ring		34	Water Level Detection Sensor (Low Water Cut-Off)	7855P-029
31	Exhaust Pipe Gasket	7855P-418	35	Flame Sensor	7855P-031
32	Heat Exchanger Assembly	7855P-416	36	Flame Sensor Bracket	7855P-356
32-1	Burner Body Assembly	7855P-417	36-1	Flame Sensor Cover	7855P-357
32-2	Burner Overheat Sensor	7855P-066	37	CH Supply Pipe	7855P-421
32-3	Burner Body	7855P-606	37-1	CH Supply Pipe Gasket	7855P-074
32-4	Burner Gasket	7855P-419	38	CH Return Pipe	7855P-422
32-5	Ceramic Fiber Burner	7855P-420	38-1	CH Return Pipe Gasket	7855P-074
32-6	Burner Plate O-Ring	7855P-249	39	CH Return Sensor	7855P-097
32-7	Ignition Rod	7855P-607	39-1	CH Return Sensor Gasket	7855P-364
32-8	Igniter Gasket	7855P-252	40	Condensate Trap Assembly	7855P-605

Table 38 – Heat Exchanger Replacement Parts – 175W – 199W Models

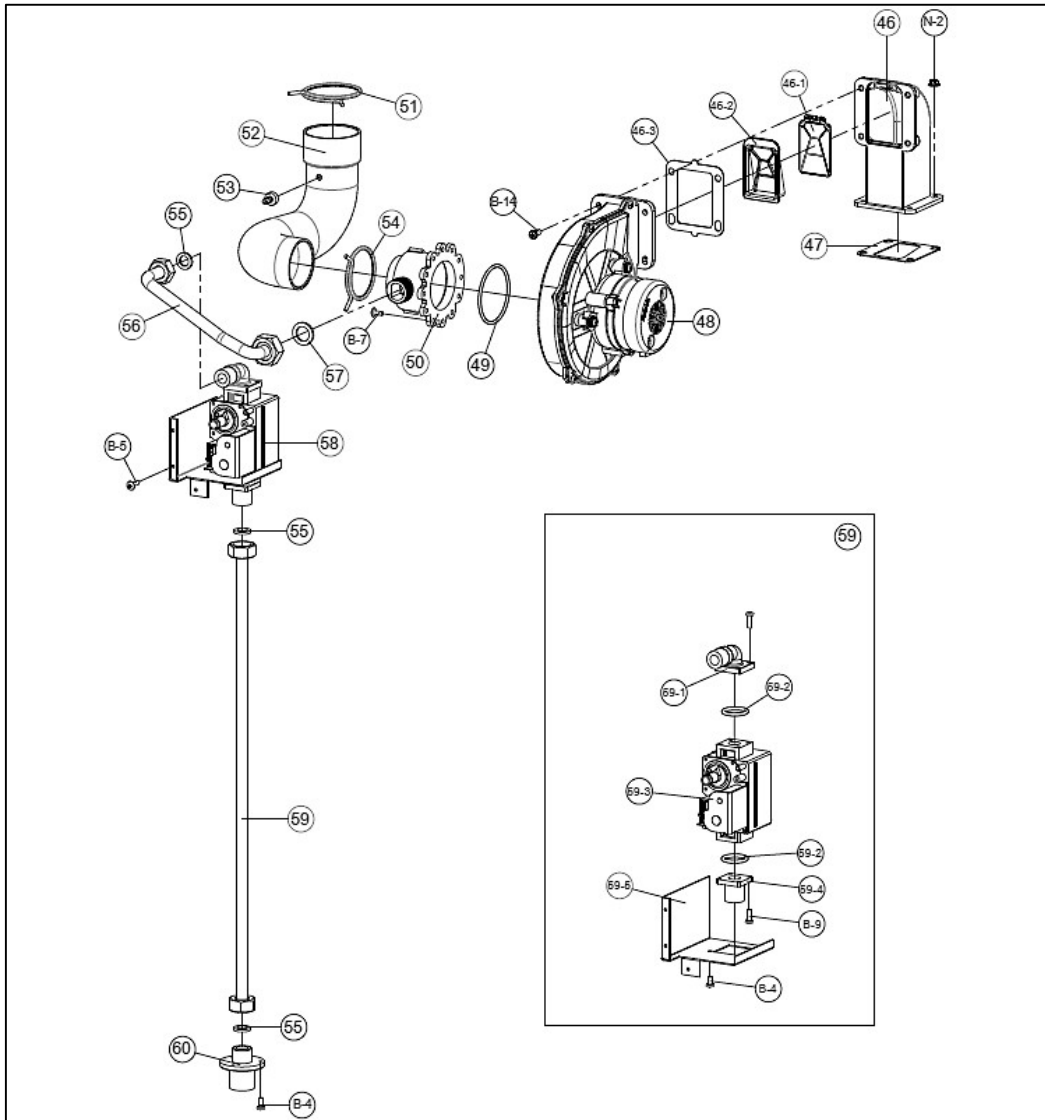


Figure 65 – Combustion System Replacement Parts – 80W – 140W Models

#	DESCRIPTION	PART NUMBER			#	DESCRIPTION	PART NUMBER	
46	Burner Inlet Channel (with Damper)	7855P-367			55	½" Gas Pipe Gasket	7855P-221	
46-1	Air Damper	7855P-368			56	Gas Pipe (to Mixer)	80W / 100W	7855P-377
46-2	Air Damper Guide	7855P-369					120W / 140W	7855P-378
46-3	Fan Outlet Gasket	7855P-425			57	¾" Gas Pipe Gasket	7855P-379	
47	Burner Inlet Channel Gasket	7855P-370			58	Gas Pipe (to Gas Valve)	7855P-380	
48	Fan	7855P-025			59	Gas Valve Assembly	7855P-381	
49	Fan O-Ring	7855P-371			59-1	Gas Valve Outlet Adapter	7855P-232	
50	Mixer	<b>Model</b>	<b>NG</b>	<b>LP</b>	59-2	Gas Valve O-Ring	7855P-076	
		80W	7855P-300	7855P-301				
		100W	7855P-302	7855P-303				
		120W	7855P-316	7855P-305				
		140W	7855P-317	7855P-307				
51	Air Intake Hose Top Clamp	7855P-372			59-3	Gas Valve	7855P-034	
52	Air Intake Hose	80W / 100W		7855P-373	59-4	Gas Valve Inlet Adapter	7855P-033	
		120W / 140W		7855P-374				
53	APS Hose Fitting	7855P-375			59-5	Gas Valve Bracket	7855P-234	
54	Mixer Clamp	7855P-376			60	Gas Inlet Adapter (¾")	7855P-382	

Table 39 – Combustion System Replacement Parts – 80W – 140W Models

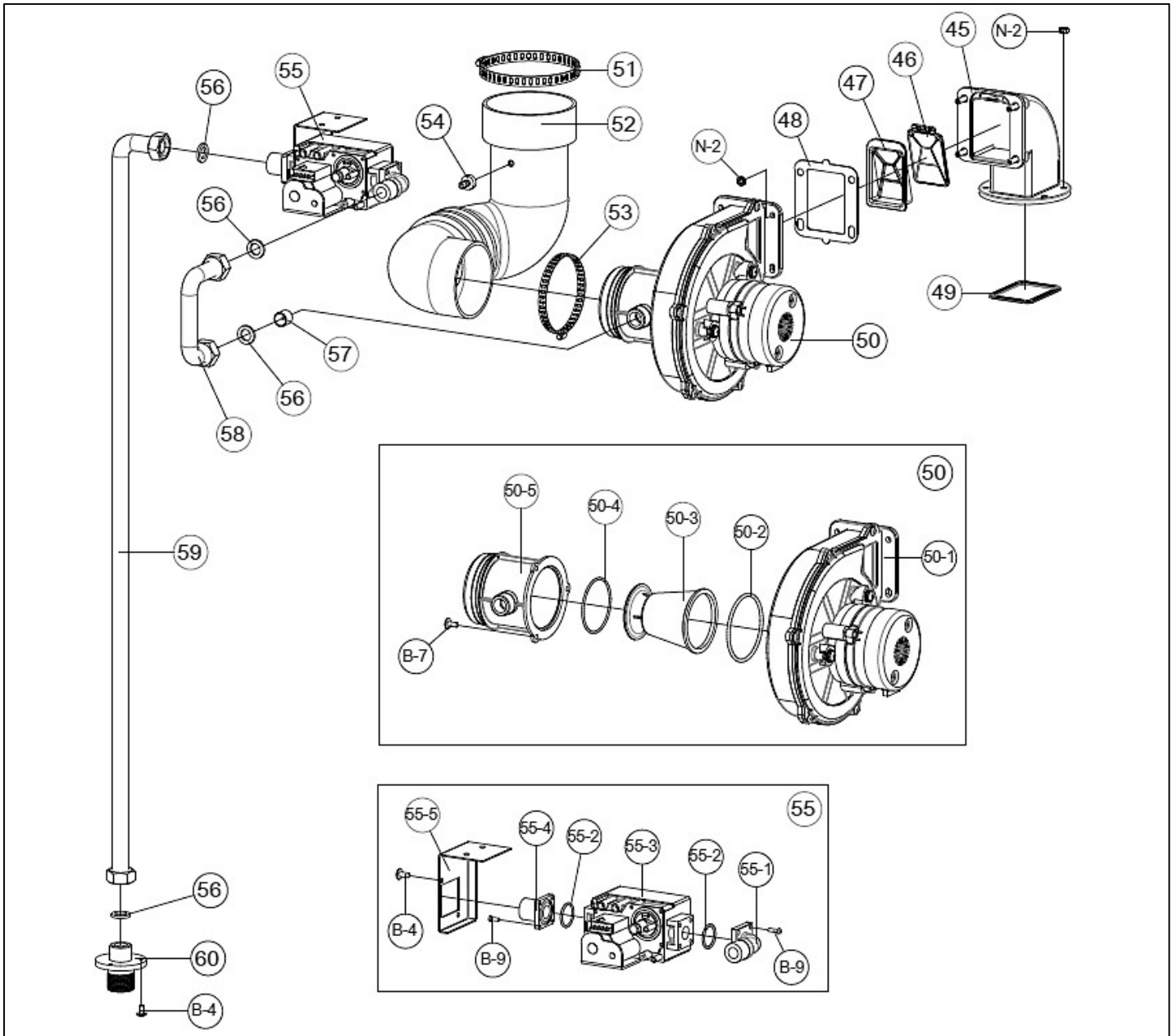


Figure 66 – Combustion System Replacement Parts – 175W – 199W Models

#	DESCRIPTION	PART NUMBER	#	DESCRIPTION	PART NUMBER
45	Burner Inlet Channel (with Damper)	7855P-424	55	Gas Valve Assembly	7855P-431
46	Air Damper	7855P-618	55-1	Gas Valve Outlet Adapter	7855P-232
47	Air Damper Guide	7855P-369	55-2	Gas Valve O-Ring	7855P-076
48	Fan Outlet Gasket	7855P-425	55-3	Gas Valve	7855P-034
49	Burner Inlet Channel Gasket	7855P-426	55-4	Gas Valve Inlet Adapter	7850P-077
50	Fan and Mixer Assembly	7855P-427	55-5	Gas Valve Bracket	7855P-436
50-1	Fan	7855P-025	56	1/2" Gas Pipe Gasket	7855P-221
50-2	Fan O-Ring	7855P-371	57	Gas Orifice (NG) 8.3 mm	7855P-610
50-3	Air-Gas Mixer (Inner Part)	7855P-609	57	Gas Orifice (LP) 6.3 mm	7855P-435
50-4	Air-Gas Mixer Gasket	7855P-428	58	Gas Pipe (to Mixer)	7855P-432
50-5	Air-Gas Mixer (Outer Part)	7855P-608	59	Gas Pipe (to Gas Valve)	7855P-433
51	Air Intake Hose Top Clamp	7855P-429	60	Gas Inlet Adapter (3/4")	7855P-382
52	Air Intake Hose	7855P-430			
53	Air Intake Hose (Bottom Clamp)	7855P-429			
54	APS Hose Fitting	7855P-375			

Table 40 – Combustion System Replacement Parts – 175W – 199W Models