

Figure 57 - Cabinet Replacement Parts

NUMBER	DESCRIPTION	PART NUMBER	NUMBER	DESCRIPTION	PART NUMBER
1	Cabinet Assembly	7860P-005	8	Air Vent Adapter	7855P-454
2	Top Wall Mount Bracket	7850P-068	9	Control Board Bracket	7855P-412
3	Bottom Wall Mount Bracket	7850P-092	10	Air Pressure Switch	7855P-262
4	Exhaust Adapter Gasket	7850P-041	11	Ignition Transformer	7855P-007
5	Exhaust Duct Assembly	7855P-002	12	Display Panel Bracket	7855P-413
5-1	Exhaust/Intake Duct Clamps (Φ100)	7855P-332	13	Terminal Blocks Bracket	7855P-434
5-2	Exhaust/Intake Gaskets	7850P-210	14	Control Board	7855P-408
5-3	Exhaust Duct	7855P-333	15	Display Panel	7850P-006
5-4	Combustion Analyzer Port Plug O-Ring	7855P-334	16	Manual Power Switch	7855P-014
5-5	Combustion Analyzer Port Plug	7855P-335	17	Condensate Block APS	7855P-017
5-6	Intake and Exhaust Adapter O-Ring (Φ85)	7855P-256	18	High Voltage Terminal Block	7860P-007
5-7	Exhaust Duct Inner Adapter	7855P-004	19	Low Voltage Terminal Block	7860P-008
5-8	Exhaust Adapter O-Ring (Φ75)	7855P-254	20	Front Cover	7860P-009
6	Air Intake Cap Assembly	7855P-411	21	Display Panel Cover	7850P-023
6-1	Air Intake Cap	7855P-337	22	Wire Gland	7855P-348
6-2	Exhaust Duct Inner Adapter	7855P-004	23	DHW Pressure Gauge	7860P-010
7	Air Vent	7855P-063			

Table 42 - Cabinet Replacement Parts

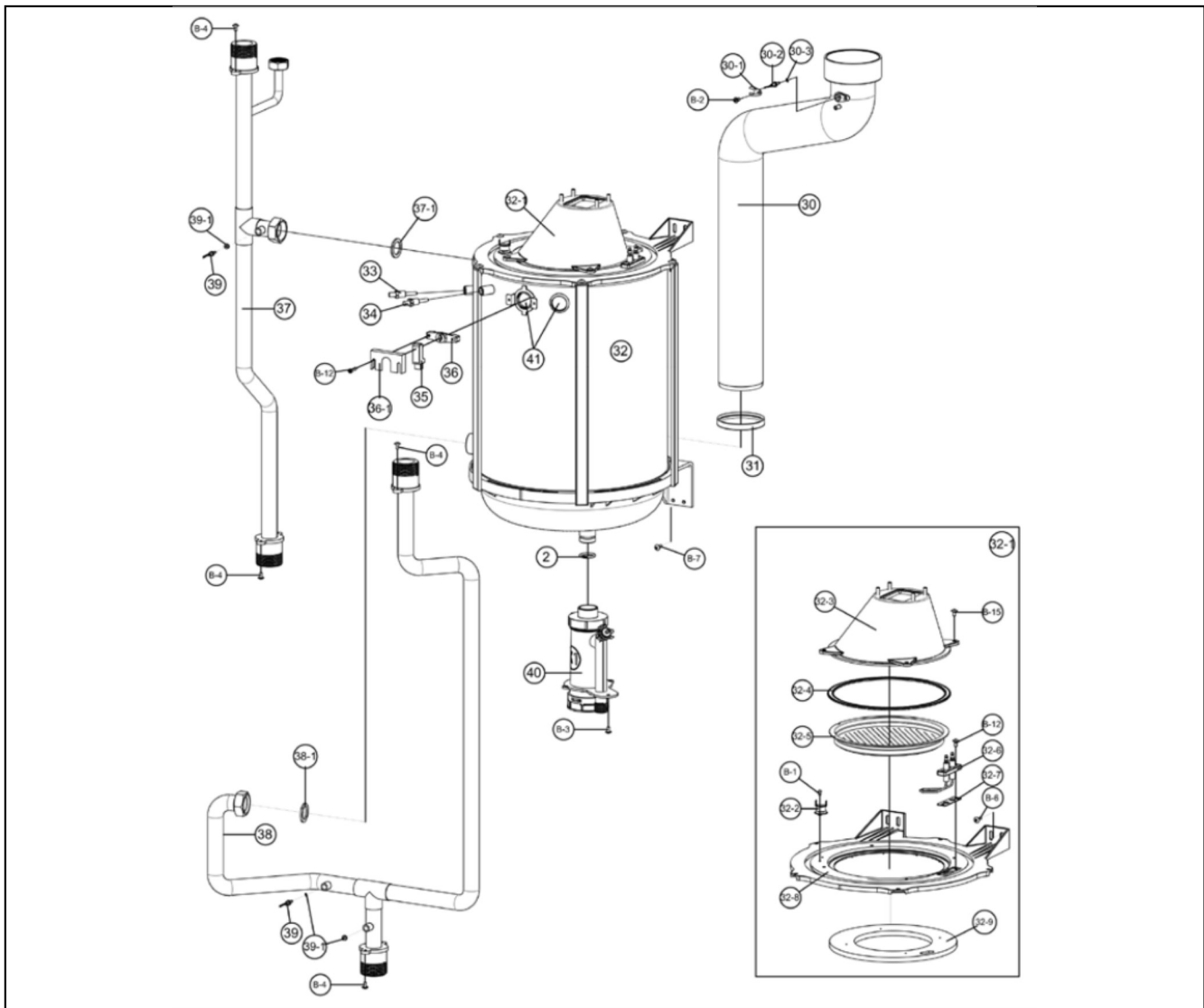


Figure 58 - Heat Exchanger Replacement Parts

NUMBER	DESCRIPTION	PART NUMBER	NUMBER	DESCRIPTION	PART NUMBER
30	Exhaust Pipe Assembly	7855P-415	33	Outlet Temperature Sensor	7855P-030
30-1	Exhaust Temperature Sensor Clip	7855P-349	34	Water Level Detection Sensor	7855P-029
30-2	Exhaust Temperature Sensor	7855P-092	35	Flame Sensor	7855P-031
30-3	Exhaust Temperature Sensor O-Ring		36	Flame Sensor Bracket	7855P-356
31	Exhaust Pipe Gasket	7855P-418	36-1	Flame Sensor Cover	7855P-357
32	Heat Exchanger Assembly	7860P-011	37	Outlet Pipe	7860P-012
32-1	Burner Body Assembly	7855P-417	37-1	Outlet Pipe Gasket	7855P-074
32-2	Burner Overheat Switch	7855P-066	38	Inlet Pipe	7855P-422
32-3	Burner Body	7855P-606	38-1	Inlet Pipe Gasket	7855P-074
32-4	Burner Gasket	7855P-419	39	Inlet Sensor	7855P-097
32-5	Ceramic Fiber Burner	7855P-420	39-1	Inlet Sensor Gasket	7855P-364
32-6	Ignition Rod	7855P-607	40	Condensate Trap	7855P-605
32-7	Igniter Gasket	7855P-252	41	Sight Glass Assembly	7855P-401
32-8	Heat Exchanger Top	7855P-619	Not Shown	Heat Exchanger Gasket	7855P-461
32-9	Burner Refractory	7855P-612			

Table 43 - Heat Exchanger Replacement Parts

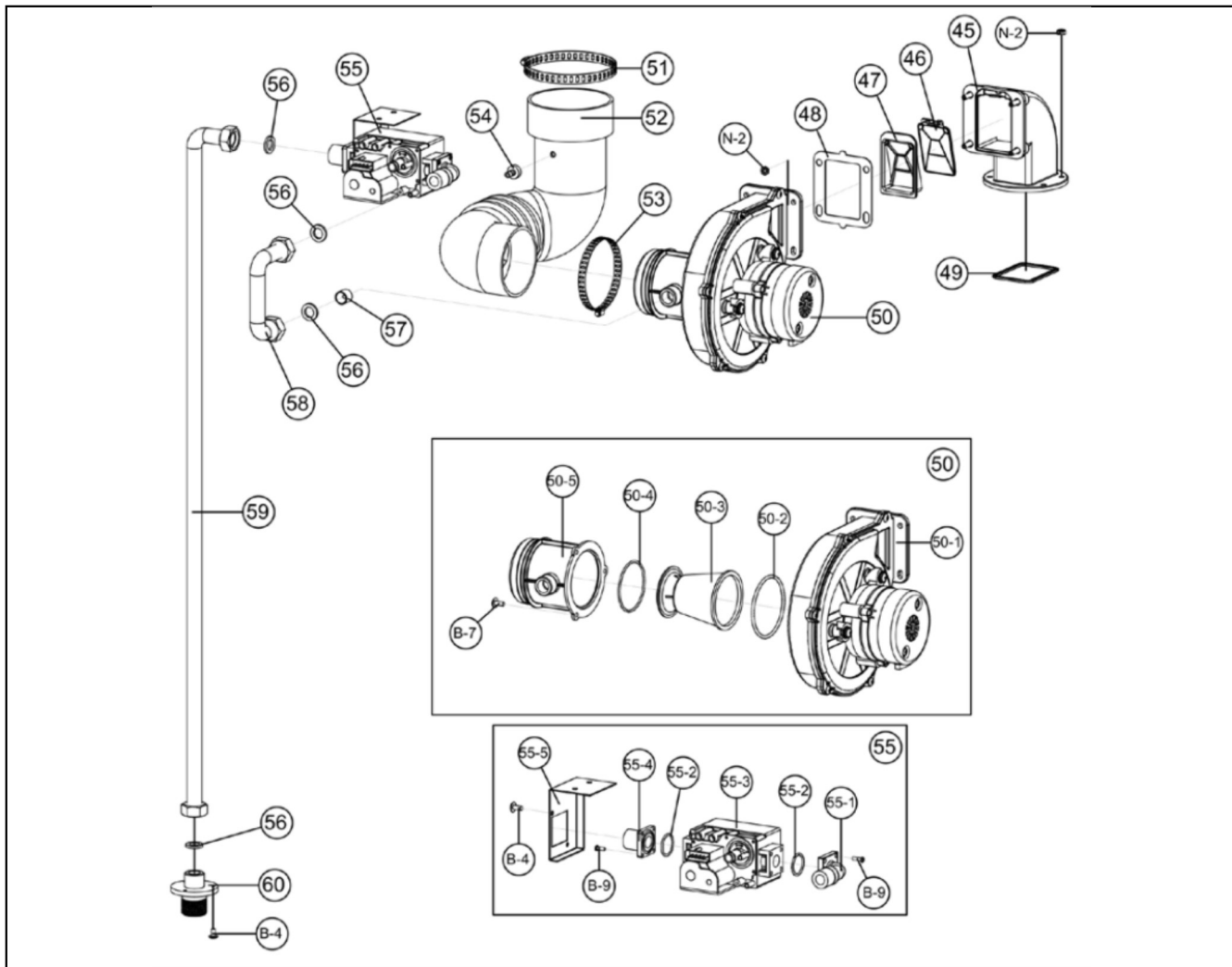


Figure 59 - Combustion System Replacement Parts

NUMBER	DESCRIPTION	PART NUMBER	NUMBER	DESCRIPTION	PART NUMBER
45	Burner Inlet Channel (w/ Damper)	7855P-424	54	APS Hose Fitting	7855P-375
46	Air Damper	7855P-618	55	Gas Valve Assembly	7855P-431
47	Air Damper Guide	7855P-369	55-1	Gas Valve Outlet Adapter	7855P-232
48	Fan Outlet Gasket	7855P-425	55-2	Gas Valve O-Ring	7855P-076
49	Burner Inlet Channel Gasket	7855P-426	55-3	Gas Valve	7855P-034
50	Fan and Mixer Assembly	7855P-427	55-4	Gas Valve Inlet Adapter	7850P-077
50-1	Fan	7855P-025	55-5	Gas Valve Bracket	7855P-436
50-2	Fan O-Ring	7855P-371	56	1/2" Gas Pipe Gasket	7855P-221
50-3	Air Gas Mixer, 30mm	7855P-609	57	Gas Orifice (NG) 8.3mm	7855P-610
50-4	Air Gas Mixer Gasket	7855P-428		Gas Orifice (LP) 6.2mm	7855P-435
50-5	Air Gas Mixer (outer part)	7855P-608	58	Gas Pipe (to mixer)	7855P-432
51	Air Intake Hose Top Clamp (Ø89)	7855P-429	59	Gas Pipe (to gas valve)	7855P-433
52	Air Intake Hose	7855P-430	60	Gas Inlet Adapter (3/4")	7855P-382
53	Air Intake Hose Bottom Clamp	7855P-429			

Table 44 - Combustion System Replacement Parts