

Figure 62 - Cabinet Replacement Parts

| NUMBER | DESCRIPTION                       | PART NUMBER | NUMBER | DESCRIPTION                  | PART NUMBER                         |           |
|--------|-----------------------------------|-------------|--------|------------------------------|-------------------------------------|-----------|
| 1      | Bottom Wall Mount Bracket         | 7850P-092   | 10     | Manual Power Switch          | 7855P-014                           |           |
| 2      | Cabinet Assy – 150 Model          | 7855P-626   | 11     | Condensate APS               | 7855P-017                           |           |
|        | Cabinet Assy – 199 Model          | 7850P-263   |        | 12                           | Display Panel Bracket – 150 Model   | 7855P-628 |
| 3      | Top Wall Mount Bracket            | 7850P-068   | 13     |                              | Display Panel Bracket – 199 Model   | 7855P-220 |
| 4      | Exhaust Duct Assy                 | 7855P-002   |        | 14                           | Terminal Block                      | 7850P-266 |
| 4-1    | Exhaust / Intake Duct Clamps      | 7855P-332   | 15     |                              | Display Panel Cover Plastic Washers | 7850P-267 |
| 4-2    | Exhaust / Intake Gaskets          | 7850P-210   |        | 16                           | Front Cover – 150 Model             | 7855P-629 |
| 4-3    | Exhaust Duct                      | 7855P-333   |        |                              | Front Cover – 199 Model             | 7850P-272 |
| 4-4    | Exhaust Duct Inner Adapter        | 7855P-004   | 17     | Display Panel Cover          | 7850P-023                           |           |
| 4-5    | Combustion Analyzer Port Plug     | 7855P-335   | 18     | Condensate Trap Assy         | 7855P-605                           |           |
| 5      | Air Intake Cap Assy               | 7855P-411   | 19     | RGH-150 Control Board        | 7855P-407                           |           |
| 5-1    | Air Intake Cap                    | 7855P-337   |        | RGH-199 Control Board        | 7855P-406                           |           |
| 6      | Air Pressure Sensor               | 7855P-601   | 20     | Control Board Bracket        | 7850P-269                           |           |
| 7      | Air Pressure Sensor Bracket       | 7850P-264   |        | Ignition Transformer Bracket | 7850P-270                           |           |
| 8      | Display Panel                     | 7855P-600   | 21     | Ignition Transformer         | 7850P-271                           |           |
| 9      | Display Panel Bracket – 150 Model | 7855P-627   |        |                              |                                     |           |
|        | Display Panel Bracket – 199 Model | 7850P-265   |        |                              |                                     |           |

Table 35 – Cabinet Replacement Parts

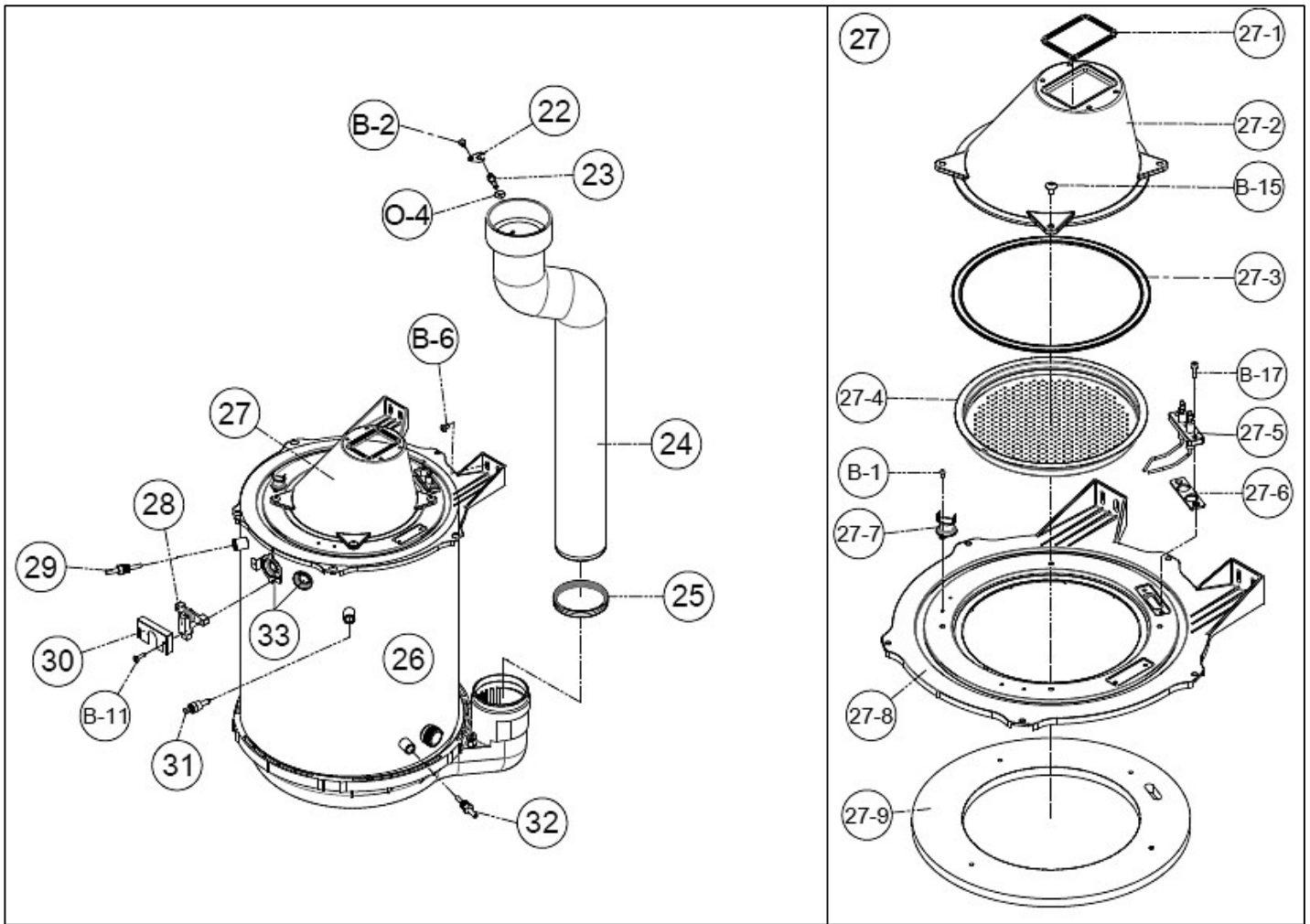


Figure 63 – Heat Exchanger Replacement Parts

| NUMBER | DESCRIPTION                     | PART NUMBER | NUMBER | DESCRIPTION                      | PART NUMBER |
|--------|---------------------------------|-------------|--------|----------------------------------|-------------|
| 22     | Exhaust Temperature Sensor Clip | 7855P-349   | 27-4   | Ceramic Fiber Burner – 150 Model | 7855P-635   |
| 23     | Exhaust Temperature Sensor      | 7855P-092   |        | Ceramic Fiber Burner – 199 Model | 7855P-420   |
| 24     | Exhaust Pipe Assy – 150 Model   | 7855P-630   | 27-5   | Ignition Rod                     | 7855P-607   |
|        | Exhaust Pipe Assy – 199 Model   | 7850P-273   | 27-6   | Igniter Gasket                   | 7855P-252   |
| 25     | Exhaust Pipe Gasket – 150 Model | 7855P-351   | 27-7   | Burner Overheat Switch           | 7855P-066   |
|        | Exhaust Pipe Gasket – 199 Model | 7855P-418   | 27-8   | Burner Body – 150 Model          | 7855P-646   |
| 26     | Heat Exchanger Assy – 150 Model | 7855P-631   |        | Burner Body – 199 Model          | 7855P-653   |
|        | Heat Exchanger Assy – 199 Model | 7855P-602   | 27-9   | Burner Refractory – 150 Model    | 7855P-636   |
| 27     | Burner Body Assy – 150 Model    | 7855P-632   |        | Burner Refractory – 199 Model    | 7855P-612   |
|        | Burner Body Assy – 199 Model    | 7855P-619   | 28     | Flame Sensor                     | 7855P-031   |
| 27-1   | Burner Body Top Gasket          | 7855P-426   | 29     | HX Water Thermistor              | 7855P-614   |
| 27-2   | Burner Body – 150 Model         | 7855P-633   | 30     | Flame Sensor Cover               | 7855P-357   |
|        | Burner Body – 199 Model         | 7855P-606   | 31     | Water Level Detection Sensor     | 7855P-029   |
| 27-3   | Burner Gasket – 150 Model       | 7855P-634   | 32     | Recirculation Water Sensor       | 7855P-615   |
|        | Burner Gasket – 199 Model       | 7855P-419   | 33     | Sight Glass Assembly             | 7855P-401   |

Table 36 – Heat Exchanger Replacement Parts

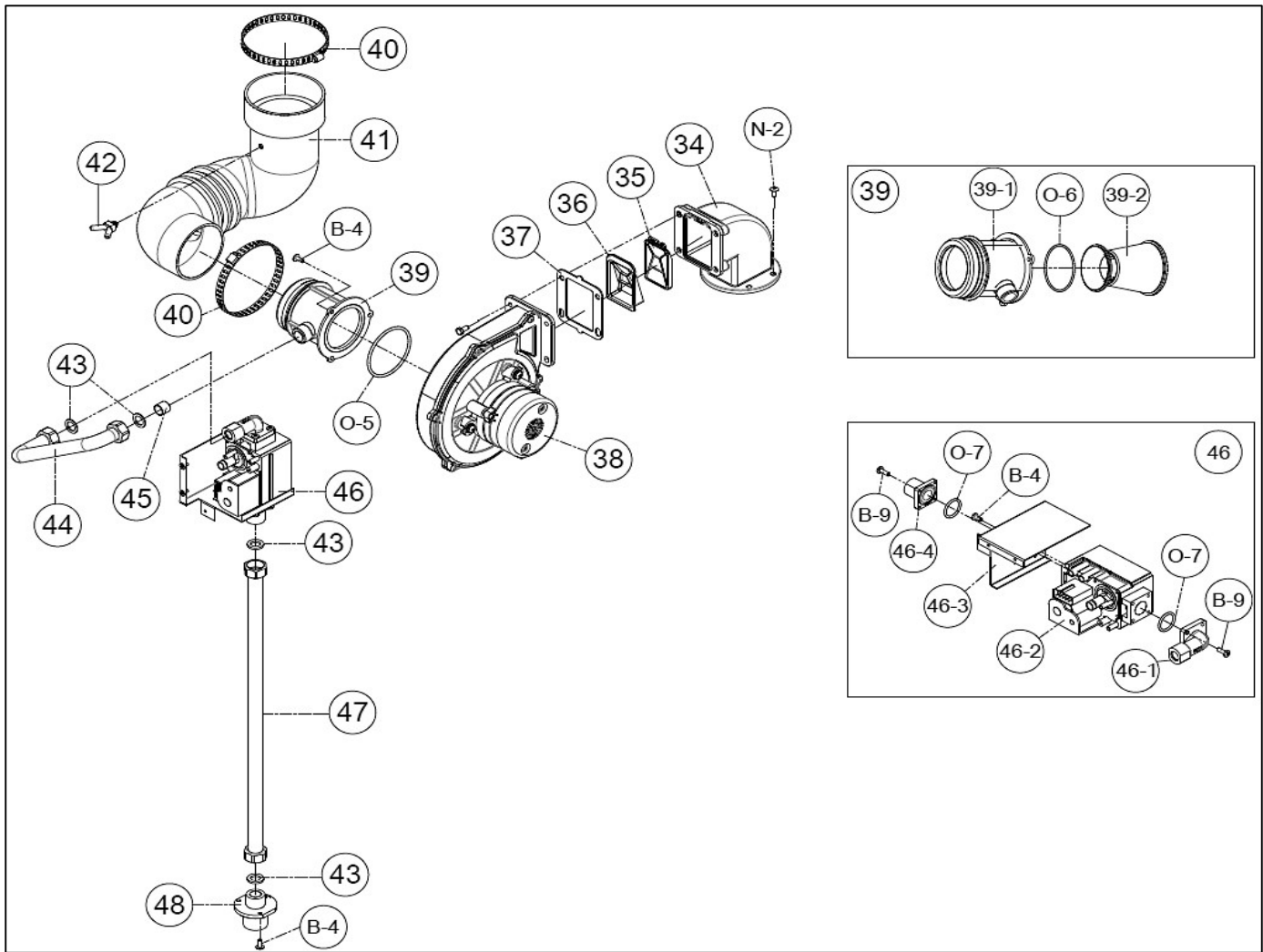


Figure 64 – Combustion System Replacement Parts

| NUMBER | DESCRIPTION                            | PART NUMBER | NUMBER | DESCRIPTION                         | PART NUMBER |
|--------|--|-------------|--------|-------------------------------------|-------------|
| 34     | Burner Inlet Channel                   | 7855P-424   | 44     | Gas Pipe (to Mixer) – 150 Model     | 7855P-638   |
|        | Air Damper – 150 Model                 | 7855P-637   |        | Gas Pipe (to Mixer) – 199 Model     | 7855P-650   |
| 35     | Air Damper – 199 Model                 | 7855P-618   | 45     | NG Gas Orifice (7.2 mm) – 150 Model | 7855P-642   |
| 36     | Air Damper Guide                       | 7855P-369   |        | LP Gas Orifice (5.5 mm) – 150 Model | 7855P-643   |
| 37     | Fan Outlet Gasket                      | 7855P-425   |        | NG Gas Orifice (8.3 mm) – 199 Model | 7855P-610   |
| 38     | Fan                                    | 7855P-025   | 46     | LP Gas Orifice (6.2 mm) – 199 Model | 7855P-435   |
| 39     | Mixer Assy – 150 Model                 | N/A         |        | Gas Valve Assy                      | 7855P-381   |
|        | Mixer Assy – 199 Model                 | N/A         | 46-1   | Gas Valve Outlet Adapter            | 7855P-232   |
| 39-1   | Air-Gas Mixer (Outer Part)             | 7855P-608   | 46-2   | Gas Valve                           | 7855P-034   |
| 39-2   | Air-Gas Mixer (Inner Part) – 150 Model | 7855P-648   | 46-3   | Gas Valve Bracket                   | 7855P-436   |
|        | Air-Gas Mixer (Inner Part) – 199 Model | 7855P-609   | 46-4   | Gas Valve Inlet Adapter             | 7855P-033   |
| 40     | Air Intake Hose Clamp (Ø89)            | 7855P-429   | 47     | Gas Pipe (to Gas Valve) – 150 Model | 7855P-649   |
| 41     | Air Intake Hose                        | 7855P-430   |        | Gas Pipe (to Gas Valve) – 199 Model | 7855P-651   |
| 42     | Barb Fitting 1 X 2                     | 7855P-611   | 48     | Gas Inlet Adapter (3/4")            | 7855P-382   |
| 43     | ½" Gas Pipe Gasket                     | 7855P-221   |        |                                     |             |

Table 37 – Combustion System Replacement Parts

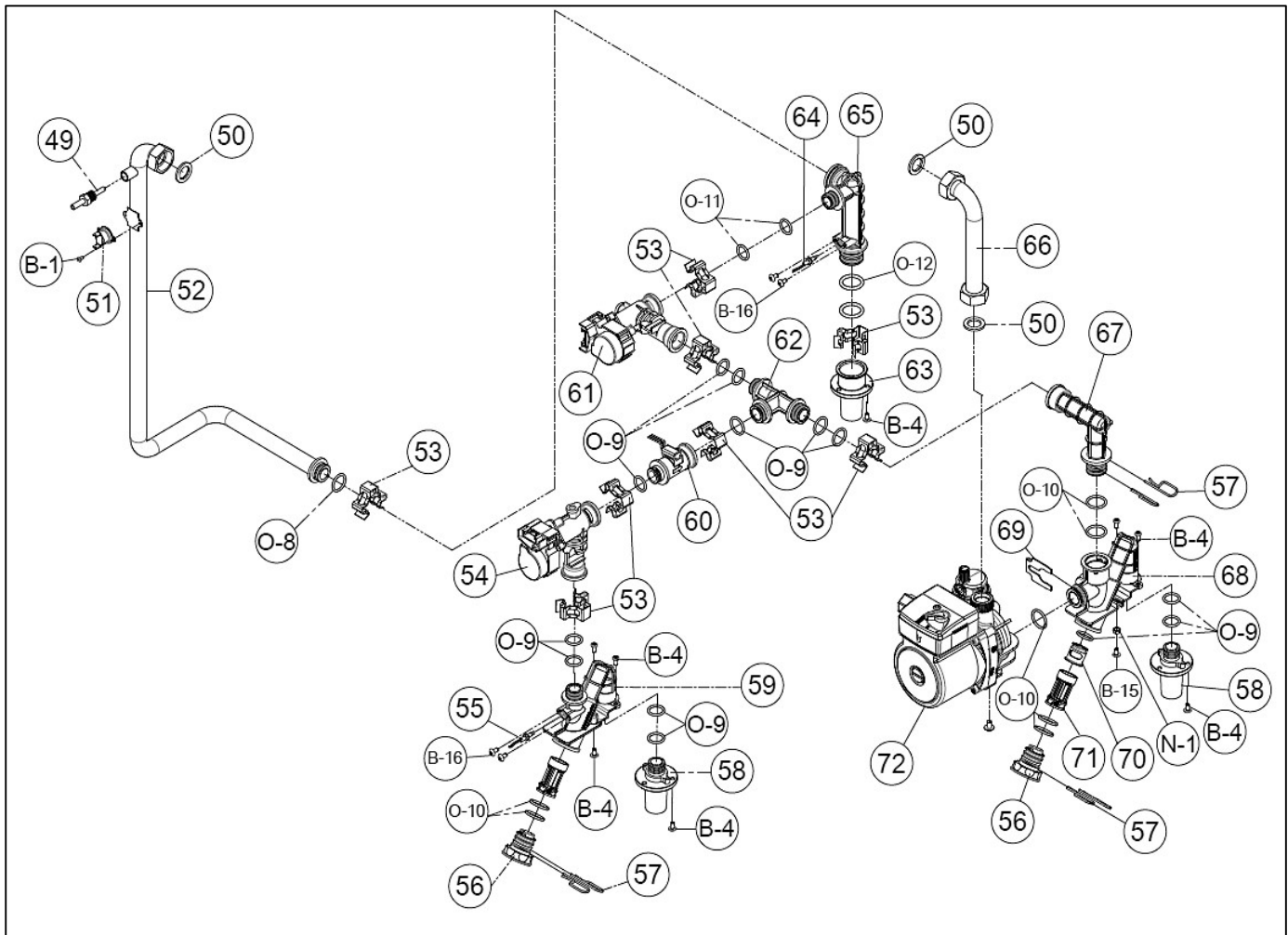


Figure 65 – Water Side Replacement Parts

| NUMBER | DESCRIPTION  | PART NUMBER            | NUMBER | DESCRIPTION  | PART NUMBER            |
|--------|--|------------------------|--------|--|------------------------|
| 49     | Heat Exchanger Temperature Sensor (OP)                         | 7850P-081              | 62     | Mixing Block   | 7855P-603              |
| 50     | ¾" Pipe Gasket   | 7855P-073              | 63     | DHW Outlet Adapter   | 7855P-225              |
| 51     | Overheat Switch (Heat Exchanger)                               | 7850P-051              | 64     | DHW Temperature Sensor   | 7855P-094              |
| 52     | Water Outlet Pipe – 150 Model<br>Water Outlet Pipe – 199 Model | 7855P-652<br>7850P-276 | 65     | DHW Inner Block  | 7855P-251              |
| 53     | ½" Pipe Clip   | 7855P-246              | 66     | Recirculation Pipe – 150 Model<br>Recirculation Pipe – 199 Model | 7855P-644<br>7850P-277 |
| 54     | Mixing Valve   | 7855P-043              | 67     | Pump Block Hybrid  | 7855P-616              |
| 55     | DHW Temperature Sensor   | 7855P-617              | 68     | Recirculation Block  | 7855P-604              |
| 56     | DHW Inlet Block Cap  | 7855P-283              | 69     | Pump Clip  | 7850P-238              |
| 57     | Filter Clips for CH/DHW Block                                  | 7855P-284              | 70     | Flow Check   | 7850P-279              |
| 58     | DHW Inlet Adapter  | 7855P-203              | 71     | Domestic Water Filter  | 7855P-281              |
| 59     | DHW Inlet Filter Block   | 7855P-279              | 72     | Recirculation Pump   | 7850P-237              |
| 60     | DHW Flow Sensor  | 7855P-083              | 73     | Water Leak Detection Sensor                                      | 7855P-645              |
| 61     | Mixing Valve   | 7855P-043              |        |  |                        |

Table 38 – Water Side Replacement Parts