

REPLACEMENT PARTS

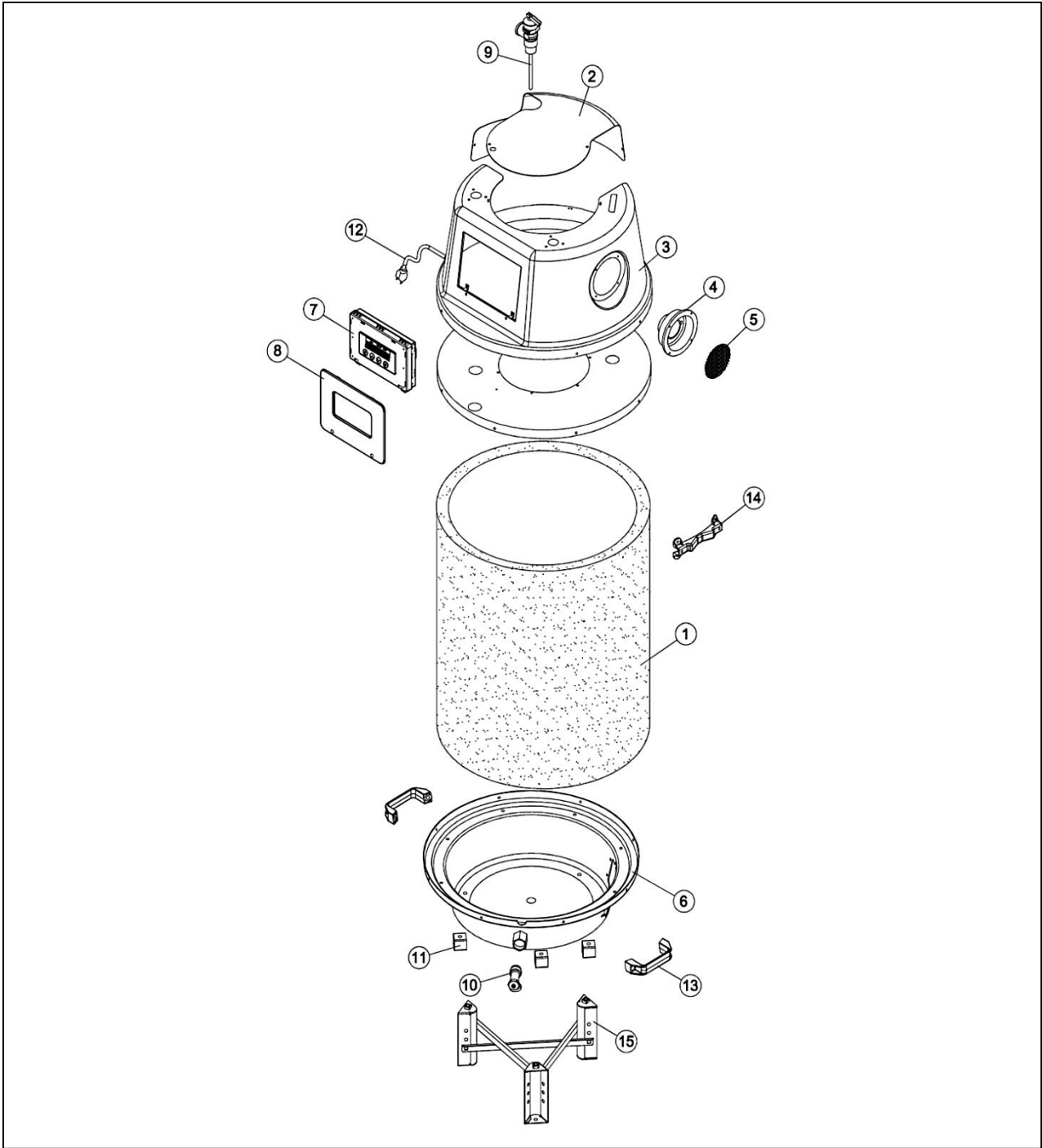


Figure 43 - Cabinet Replacement Parts

NUMBER	DESCRIPTION	PART NUMBER	NUMBER	DESCRIPTION	PART NUMBER
1	Pour Form (PU)	N/A	8	Controller Cover	8100P-034
2	Top Service Panel	8100P-031	9	T&P Relief Valve	8100P-015
3	Top Cover	N/A	10	Drain Valve	8100P-005
4	Air Intake	8100P-032	11	Pipe Foot	N/A
5	Mesh Screen	8100P-033	12	Main Power Cord	8100P-009
6	Chassis	N/A	13	Handle	N/A
7	Main Controller (75kBTU Model)	8100P-011	14	Pipe Support	8100P-037
	(100kBTU Model)	8100P-012	15	Water Heater Stand	8100P-038

Table 28 – Cabinet Replacement Parts

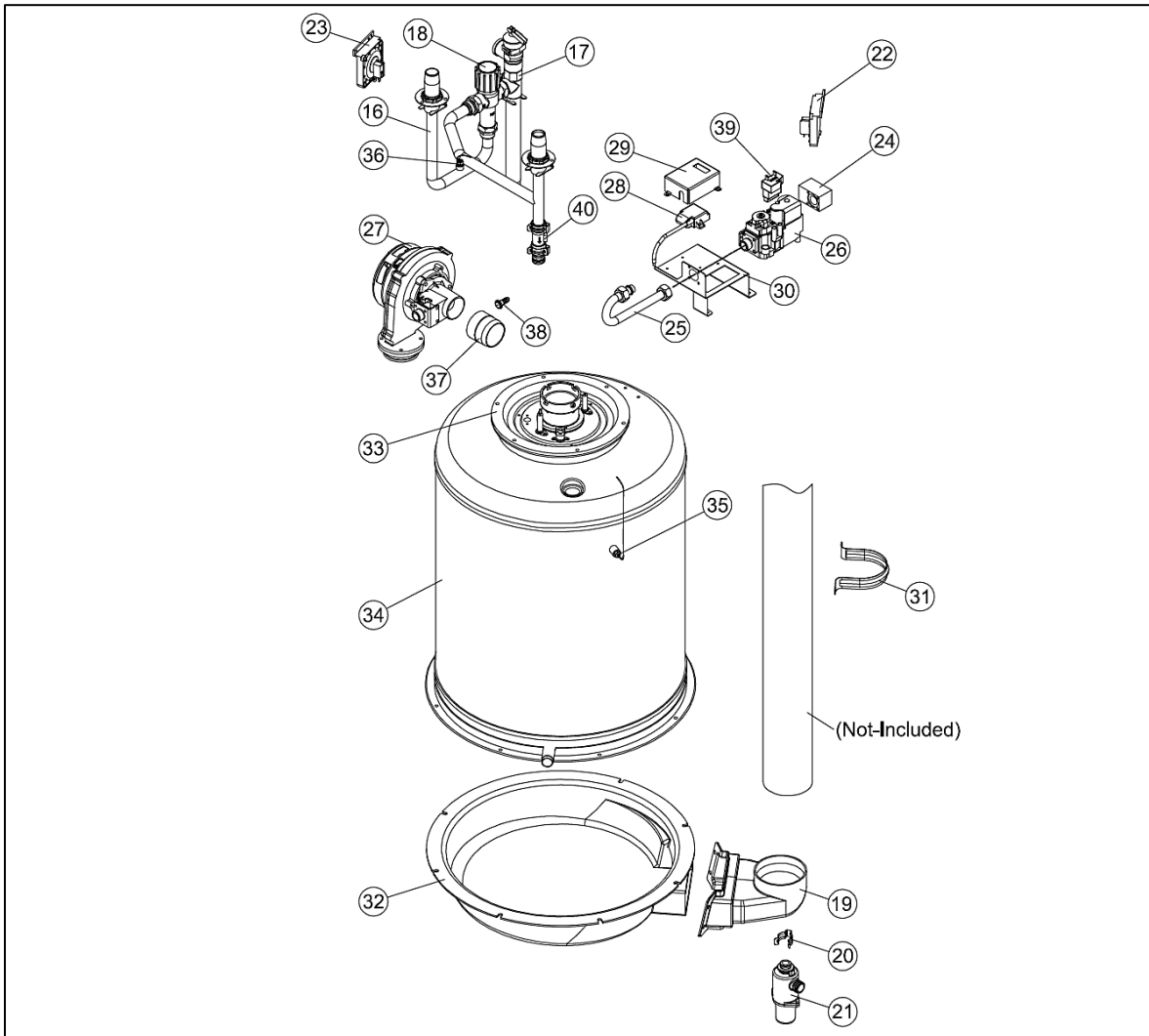


Figure 44 – Combustion System Replacement Parts

NUMBER	DESCRIPTION	PART NUMBER	NUMBER	DESCRIPTION	PART NUMBER
16	Hot Outlet Water Pipe	8100P-021	31	Pipe Clamp	8100P-045
17	T&P Relief Valve	8100P-015	32	Exhaust Chamber	N/A
18	Tempering Valve	8100P-018	33	Burner Assembly	8100P-004
19	Exhaust Adaptor	8100P-039	34	Water Tank	N/A
20	Trap Clamp	8100P-040	35	H/E Thermistor	8100P-014
21	Condensate Trap	8100P-024	36	Outlet Thermistor	8100P-016
22	Intake Air Pressure Switch (75kBTU Model)	8100P-006	37	Radial Blower Adaptor	8100P-046
	(100kBTU Model)	8100P-008	38	APS Adaptor	
23	Exhaust Air Pressure Switch (75kBTU Model)	8100P-007	39	GV Power Plug	8100P-047
	(100kBTU Model)	8100P-008	40	Inlet Water Flow Sensor	8100P-023
24	Gas Adaptor	8100P-041	Not Shown	Wire Harness	8100P-013
25	Gas Tube	8100P-042		ECO Hot Water Outlet	8100P-017
26	Gas Valve (75F Model)	8100P-035		Outlet Fitting	8100P-019
	(100F Model)	8100P-001		Cold Inlet Water Pipe	8100P-020
27	Blower Assembly with Mixer (75kBTU Model)	8100P-002		ECO Burner Plate	8100P-022
	(100kBTU Model)	8100P-003		Accessory Kit (75kBTU Model)	8100P-025
28	Ignitor	8100P-010		(100kBTU Model)	8100P-026
29	Ignitor Box	8100P-043		Spare Parts Kit	8100P-036
30	Gas Valve Support	8100P-044			

Table 29 – Combustion System Replacement Parts