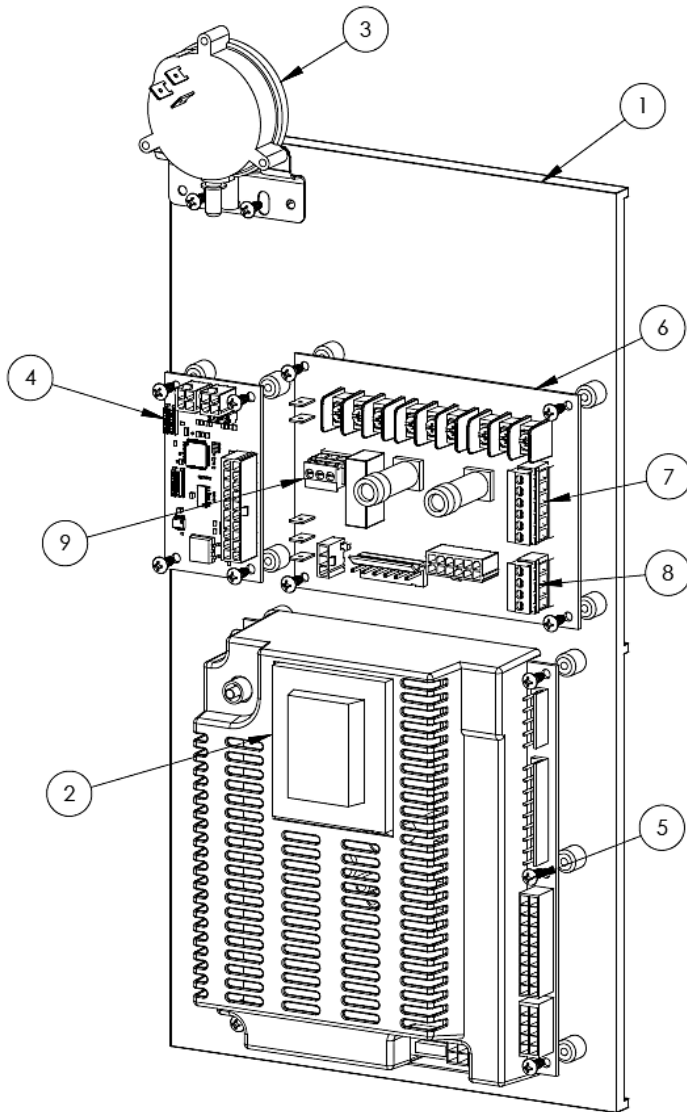


Item #	Description	Replacement Part #
1	LOW WATER CUT-OFF SENSOR	7100P-852-1
2	HIGH TEMP SAFETY SWITCH	7100P-006
3	UPPER TEMPERATURE SENSOR	7100P-004
4	BRAZED PLATE HEAT EXCHANGER	7100P-132
5	SEALING WASHER - BSPP NUT	8600P-044
6	THUMB SCREW - HYDRONIC MODULE COVER	7100P-149
7	FLEX LINE - EXCHANGER SIDE (w/NUTS, WASHERS)	7100P-171
8	LOWER TEMPERATURE SENSOR	7100P-005
9	2" COUPLING - AIR INLET (130K BTU)	7100P-114
	3" COUPLING - AIR INLET (199K BTU)	7100P-103
10	CONDENSATE HOSE	7100P-121
11	CLAMP - CONDENSATE HOSE	7250P-215
12	HIGH FLUE TEMP SWITCH	VS210
13	S.S. HOSE BARB	7250P-154
14	COUPLING NUT - AIR INLET	7100P-104
15	55-80 GAL. PLASTIC CABINET	7100P-264
	199 GAL. PLASTIC CABINET	7100P-265
16	CONTROL BOARD DISPLAY (w/MEMBRANE, BOARD, HOUSING, CABLE)	7100P-266
17	POWER SWITCH	7500P-087
18	55-80 GAL. HYDRONIC MODULE BACKPLATE	7100P-156
	199 GAL. HYDRONIC MODULE BACKPLATE	7100P-135
19	FLEX LINE - PUMP SIDE (w/NUTS, WASHERS)	7100P-165
20	HYDRONIC HEATING MODULE PUMP	7100P-131
21	TEMPERATURE AND PRESSURE RELIEF VALVE	TP1400
22	CLIP-ON PIPE TEMPERATURE SENSOR	7100P-172
23	55-80 GAL. HYDRONIC MODULE COVER	7100P-134
	199 GAL. HYDRONIC MODULE COVER	7100P-136

Figure 30



Item #	Description	Replacement Part #
1	ELECTRONIC BACK PLATE	7100P-102
2	CONTROL BOARD	7450P-122
3	SWITCH, PRESSURE, BLOCKED VENT	7250P-150
4	ECS BOARD	7100P-108
5	ELECTRONIC MOUNTING SCREW	N/A
6	FIELD CONNECTION BOARD	7100P-083
7	6 PIN TERMINAL BLOCK	7100P-254
8	4 PIN TERMINAL BLOCK	7100P-255
9	3 PIN TERMINAL BLOCK	7100P-256
10	ECS RIBBON CABLE (NOT SHOWN)	7100P-221
11	LOW VOLTAGE WIRE HARNESS (NOT SHOWN)	7100P-257
12	HIGH VOLTAGE WIRE HARNESS (NOT SHOWN)	7100P-258
13	HYDRONIC MODULE WIRE HARNESS (NOT SHOWN)	7100P-259
14	SENSOR WIRE HARNESS (NOT SHOWN)	7100P-274

Figure 31 – LP-314-G

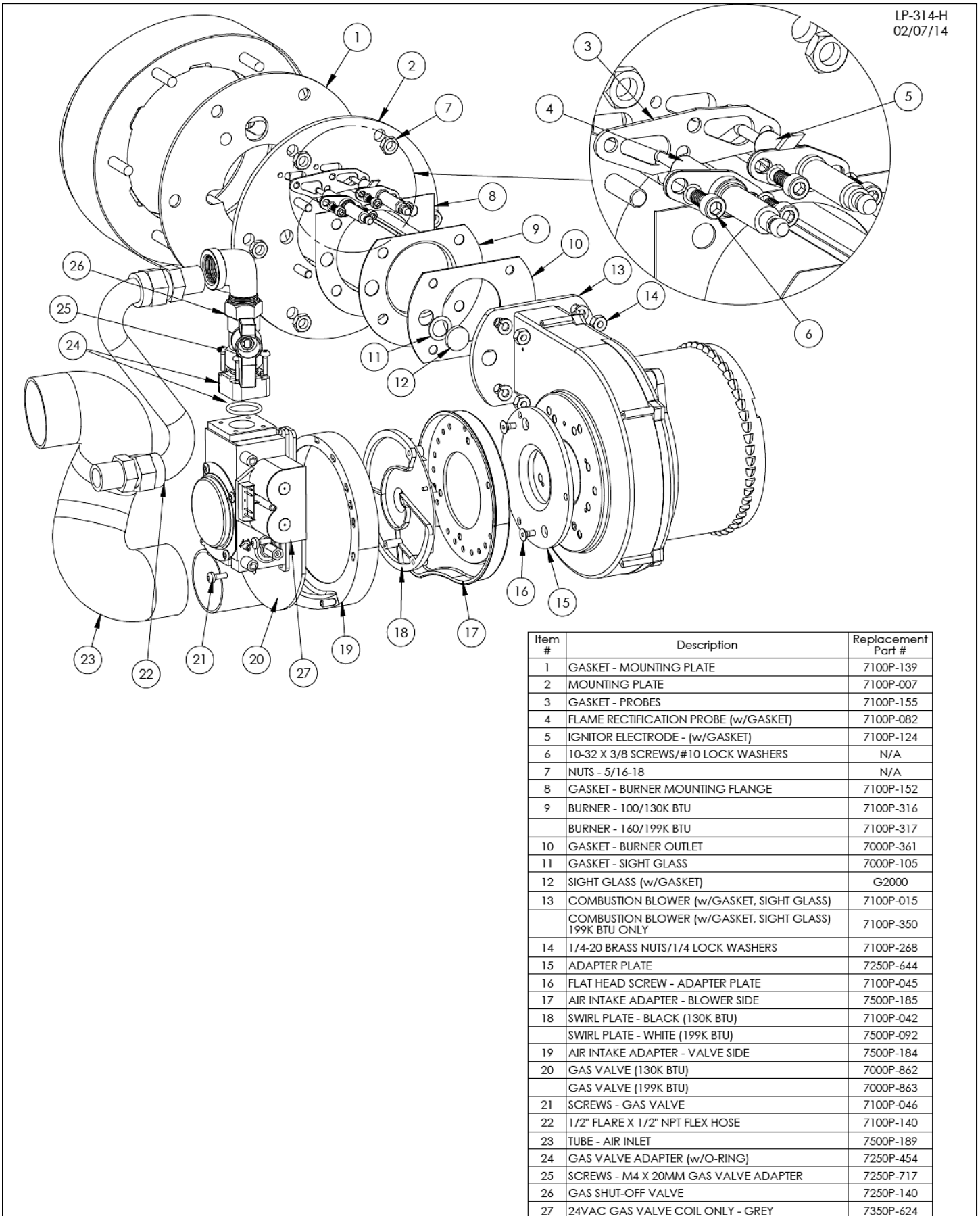


Figure 32